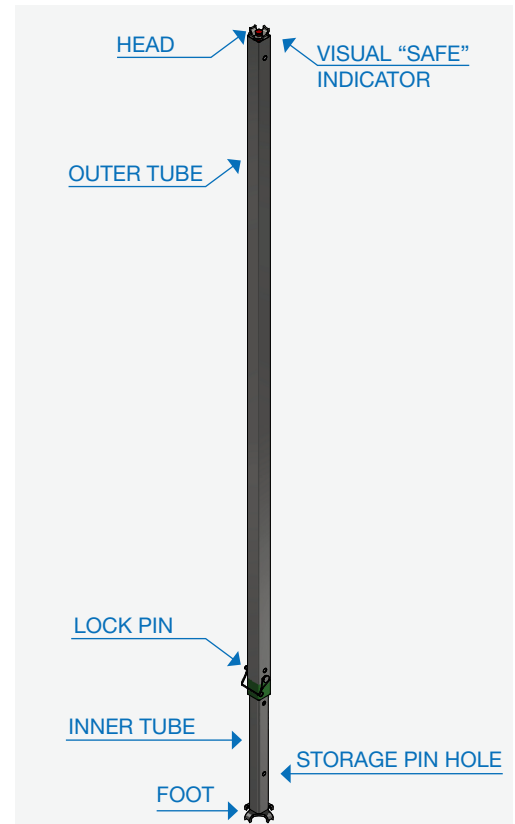
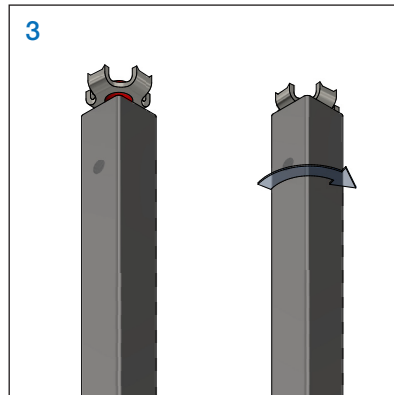
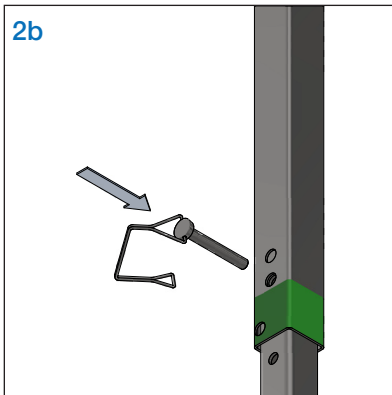
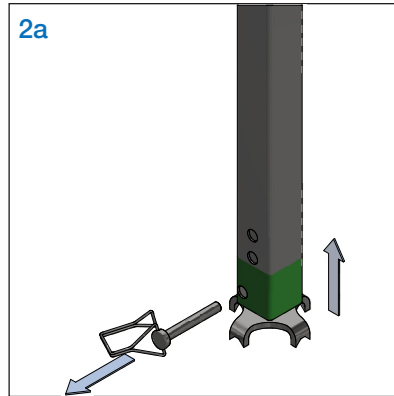
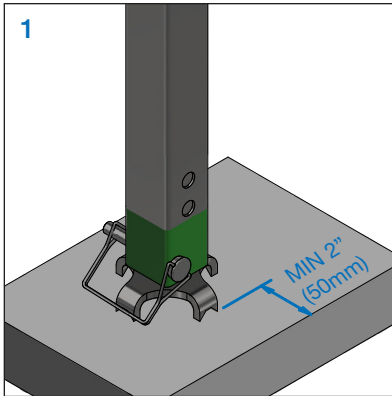


INSTALLATION



When all the steps are completed, the High Post is ready for the Speed Fence or temporary guardrail to be installed
 Maximum spacing of High Posts not to exceed 9' (2743 mm)

WEIGHT: 28 lbs / 12.7 kg
HEIGHT: 8'2"-13'6" / 2489-4115 mm
CLOSED HEIGHT: 7'1" / 2159 mm

STEP 1

Ensure foot is fully threaded in.
 Locate the post and ensure it is visually plumb.
 Minimum edge distance: 2" (50 mm)

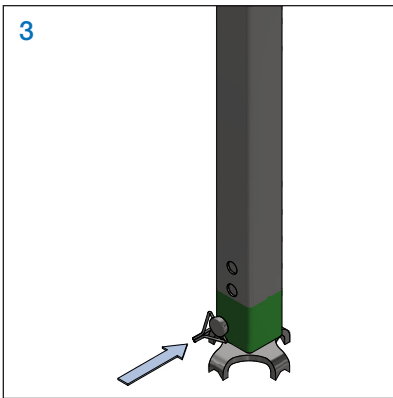
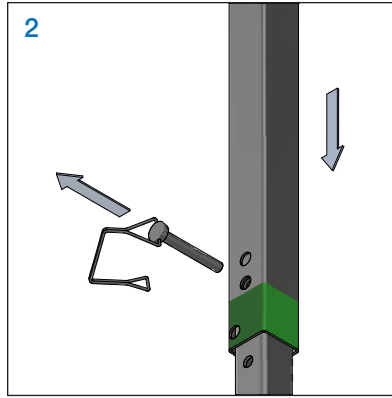
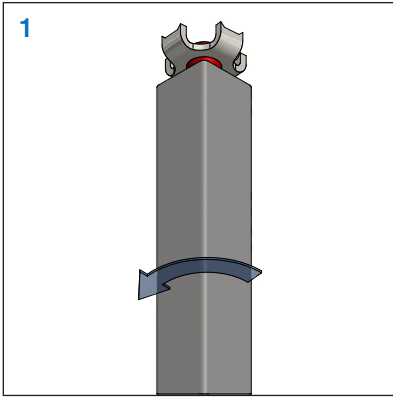
STEP 2

Remove the lock pin and extend the outer tube until the head contacts the slab above.
 Install the lock pin in the closest hole.

STEP 3

Turn the post counterclockwise until it is tight and until there is no red showing at the visual "safe" indicator.

DISMANTLING



STEP 1

Turn the post clockwise until the head is clear of the slab above.

STEP 2

Remove the lock pin and lower the outer tube to its lowest position.

STEP 3

Install the lock pin in the "Storage Pin Hole" and ensure foot is fully threaded in.

ALWAYS REFER TO GENERAL SAFETY NOTES BEFORE INSTALLATION



FOR TECHNICAL ASSISTANCE:

info@dellcore.com

(905) 857-9888

dellcore.com