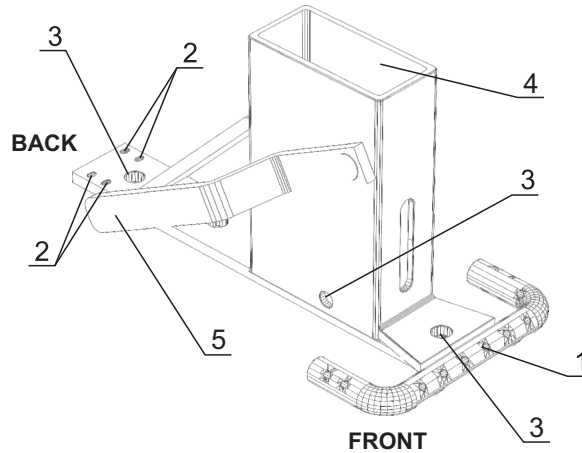


!!! REFER TO GENERAL NOTES FOR SAFETY INFORMATION !!!

PARTS

PART	DESCRIPTION
1	Nailing Bar
2	Nail Holes
3	Anchor Holes
4	Timber Post Holder
5	Notching Lever



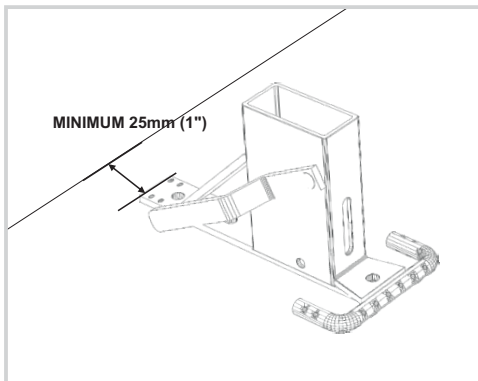
Code:
SB

Weight:
4.4kg (9.7lb)

Maximum Spacing:
2743mm (108")

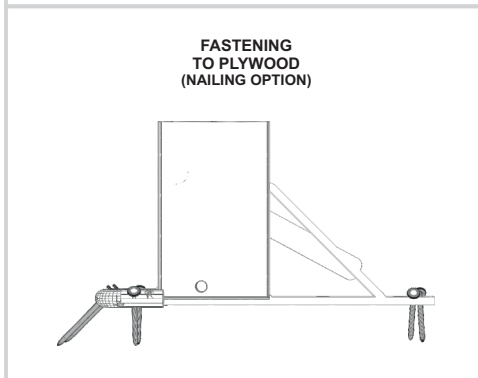
INSTALLATION

FOR MORE TECHNICAL INFORMATION CONTACT US AT: infotech@integrityworldwide.ca



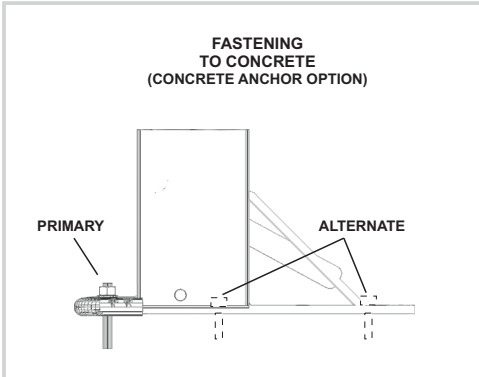
- Place the **Shark Base** with the side opposite the C-shape nailing bar a minimum 25mm (1") from the working edge

1



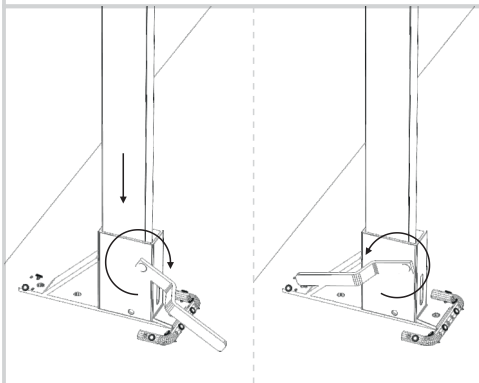
- At the back of the **Shark Base** hammer four (4) $\frac{3}{16}$ " diameter x 2" nails at a 45° angle into the four nailing holes
- For a 90kg (200lb) rating use six (6) $\frac{3}{16}$ " diameter x 2" nails into the nailing bar. Two (2) of the six (6) nails must be nailed into the nailing bar opposite the other four (4). Alternatively in place of nails, you may use four (4) #8, 50mm (2") wood screws.
- For a 136kg (300lb) rating use eight (8) $\frac{3}{16}$ " diameter x 2" nails into the nailing bar. Four (4) of the eight (8) nails must be nailed into the nailing bar opposite the other four (4). Alternatively in place of nails, you may use six (6) #8, 50mm (2") wood screws.

2



- With the **Shark Base** in the desired position, mark the hole location between the nailing bar and the timber post holder on the concrete
- Drill and anchor the **Shark Base** with a 3/8" diameter anchor with a minimum 75mm (3") embedment
- Anchor Options:
 - Hilti Quick Bolt 3
 - Red Head True Bolt
 - Powers Power Stud
 - Powers Wedge Bolt
- Two (2) Anchors may be installed at alternate holes when necessary

3



- Open the notching lever bar by rotating it until it is facing the front of the **Shark Base**
- Insert a 38mm x 89mm (2 x 4) structural class timber into the timber post holder
- Close the notching lever bar by rotating it until it is facing the back of the **Shark Base**. Confirm the timber is locked into place
- **Shark Base** with post installed is now ready for further installation of **Safety Fence** or guardrails

4

NOTE:

Distributed by:



Shark Base
Instruction