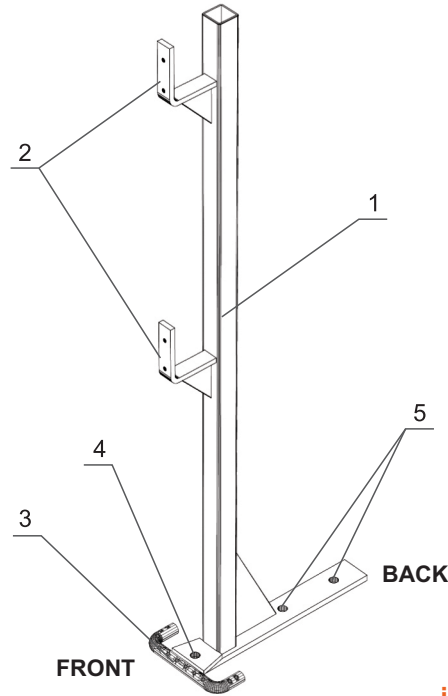


!!! REFER TO GENERAL NOTES FOR SAFETY INFORMATION !!!

PARTS

PART	DESCRIPTION
1	Vertical Post
2	Fence or Guardrail Holders
3	Nailing Bar
4	Anchor Hole
5	Anchor Holes



Code:
SS

Weight:
6.7kg (14.7lb)

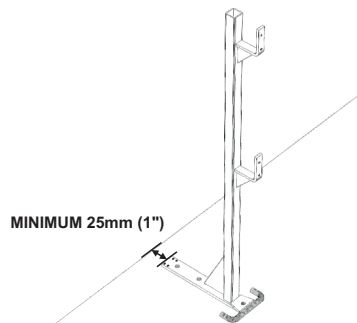
Height:
1.07m (42")

Maximum Spacing:
2743mm (108")

INSTALLATION

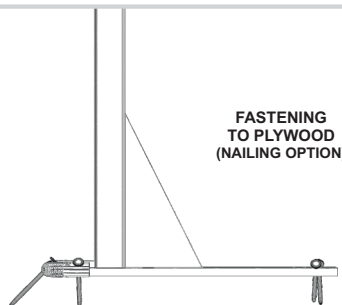
FOR MORE TECHNICAL
INFORMATION CONTACT US AT:

infotech@integrityworldwide.ca



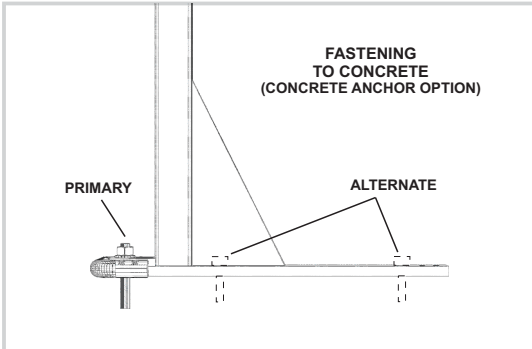
- Place the **Shark Stand** with the side opposite the C-shape nailing bar a minimum 25mm (1") from the working edge

1



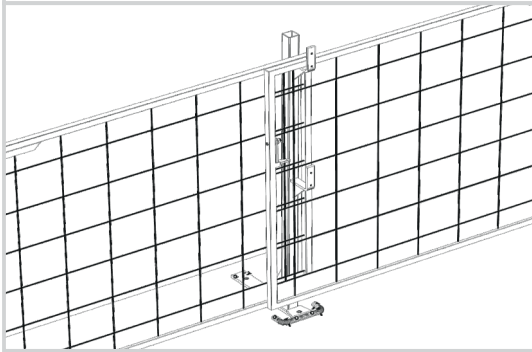
- At the back of the **Shark Stand** hammer two (2) $\frac{3}{16}$ " diameter x 2" nails half way into the anchor hole at a 45°. Bend nails over with a hammer.
- For a 90kg (200lb) rating use six (6) $\frac{3}{16}$ " diameter x 2" nails into the nailing bar. Two (2) of the six (6) nails must be nailed into the nailing bar opposite the other four (4). Alternatively in place of nails, you may use four (4) #8, 50mm (2") wood screws.
- For a 136kg (300lb) rating use eight (8) $\frac{3}{16}$ " diameter x 2" nails into the nailing bar. Four (4) of the eight (8) nails must be nailed into the nailing bar opposite the other four (4). Alternatively in place of nails, you may use six (6) #8, 50mm (2") wood screws.

2



- With the **Shark Stand** in the desired position, mark the hole location between the nailing bar and the vertical post on the concrete
- Drill and anchor the **Shark Stand** with a 3/8" diameter anchor with a minimum 75mm (3") embedment
- Anchor Options:
 - Hilti Quick Bolt 3
 - Red Head True Bolt
 - Powers Power Stud
 - Powers Wedge Bolt
- Two (2) Anchors may be installed at alternate holes when necessary

3



- **Shark Stand** is secure and ready to hold **Safety Fence** or guard rails

4

NOTE:

Distributed by:



Shark Stand
Instruction