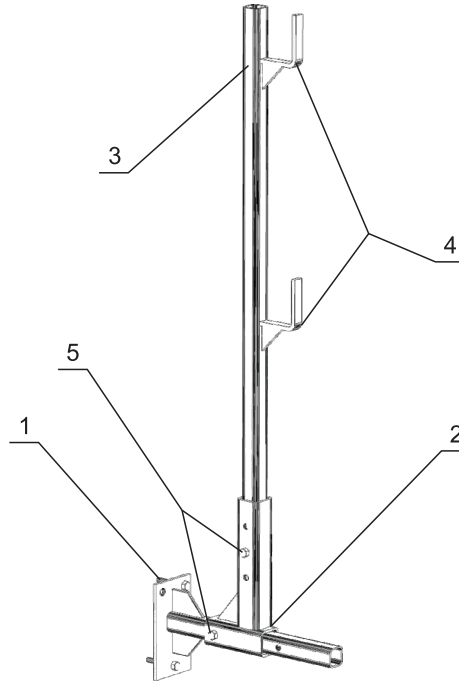


!!! REFER TO GENERAL NOTES FOR SAFETY INFORMATION !!!

PARTS

PART	DESCRIPTION
1	Base
2	Elbow
3	Shark Post
4	Timber Railing / Fence Holder
5	Quick Release Pins



Code:
PP

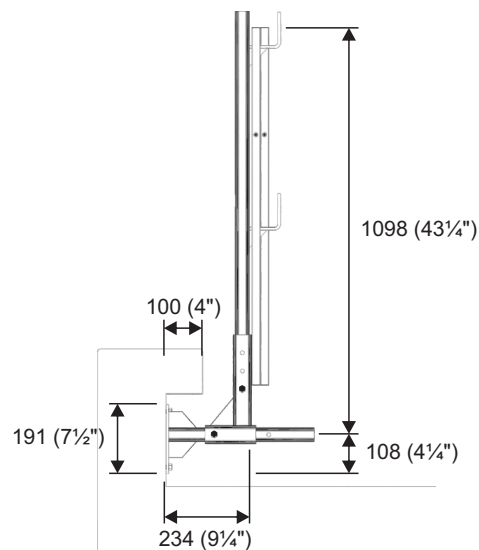
Weight:
13kg (29lb)

Maximum Spacing:
2743mm (108")

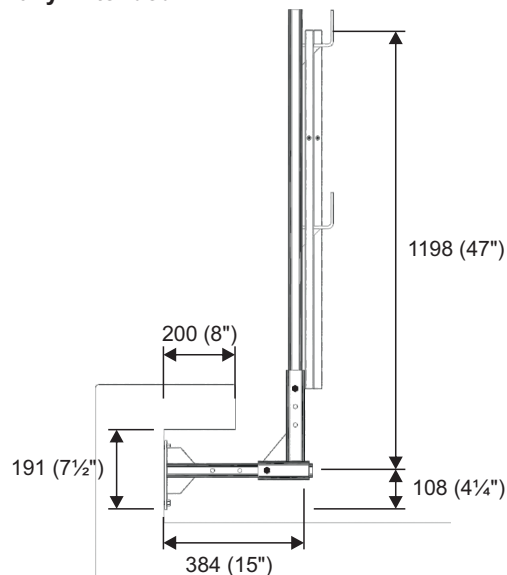
INSTALLATION

FOR MORE TECHNICAL INFORMATION CONTACT US AT: infotech@integrityworldwide.ca

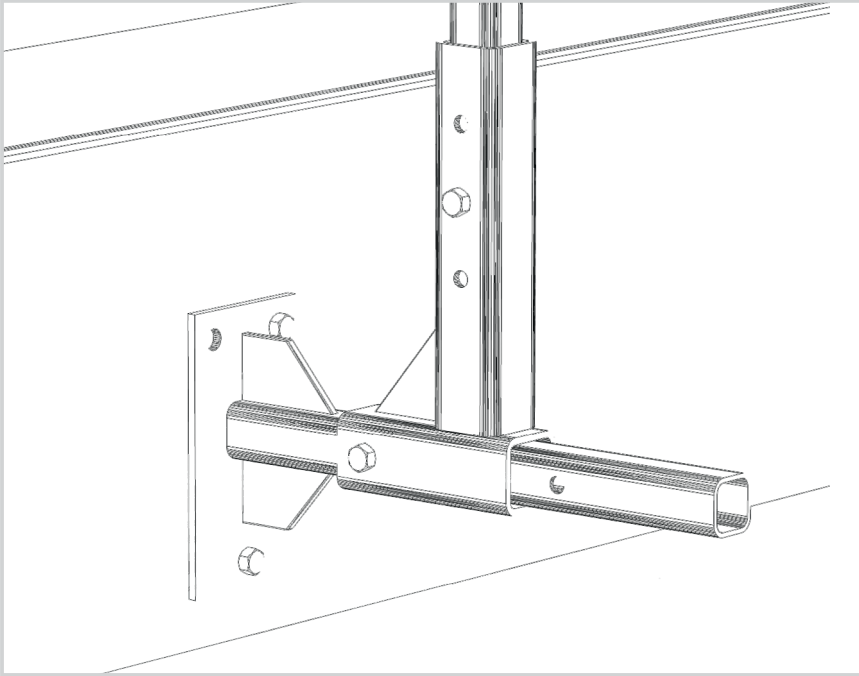
Fully Retracted



Fully Extended

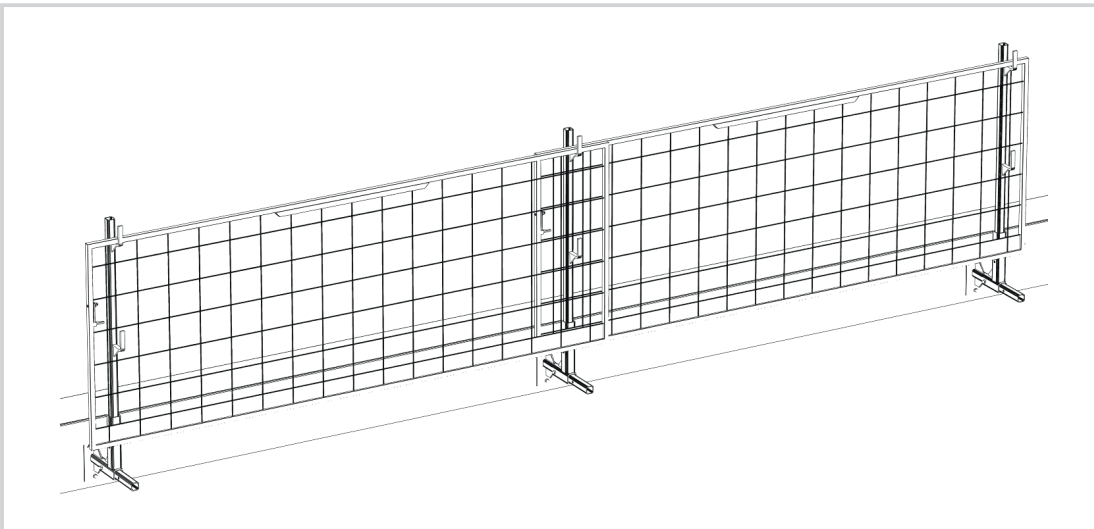


- Adjust the elbow and **Shark Post** to accommodate the parapet geometry.
- Install quick release pins to lock the base, elbow and **Shark Post** together



- Position and plumb the **Parapet Post** and mark the location for two (2) anchors. Only two anchors are required, one in the top and one in the bottom
- Drill and anchor the **Parapet Post** with 3/8" diameter anchor with a minimum 75mm (3") embedment
- Anchors Options:
 - Hilti Quick Bolt 3
 - Red Head True Bolt
 - Powers Power Stud
 - Powers Wedge Bolt

2



- Attach **Safety Fence** and/or guardrail to **Parapet Post**
- Parapet features and roof membrane can be installed while full edge protection is maintained

3

NOTE:

Distributed by:



Parapet Post
Instruction