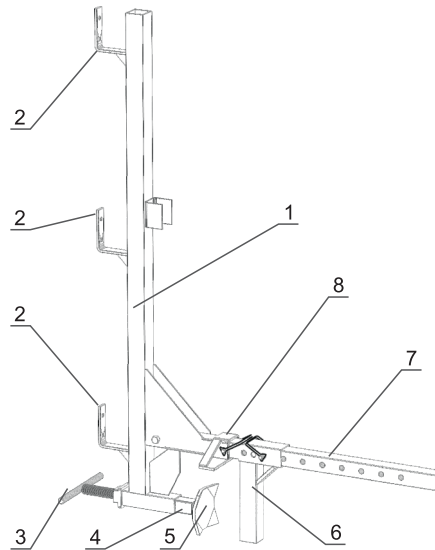


!!! REFER TO GENERAL NOTES FOR SAFETY INFORMATION !!!

PARTS

PART	DESCRIPTION
1	Vertical Post
2	Timber Railing / Fence Holder
3	Adjustment Handle
4	Inspection Gauge
5	Jaw
6	Slider
7	Extension Tube
8	Stabilizer

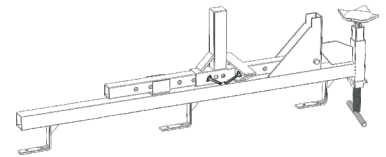


Code:
KG4221

Weight:
12.2kg (27lb)

Maximum Curb:
530mm (21")

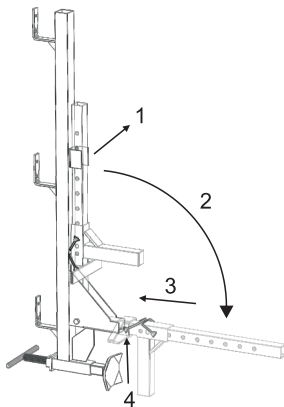
Maximum Spacing:
2743mm (108")



UNIT FOLDS FOR COMPACT STORAGE AND TRANSPORTATION

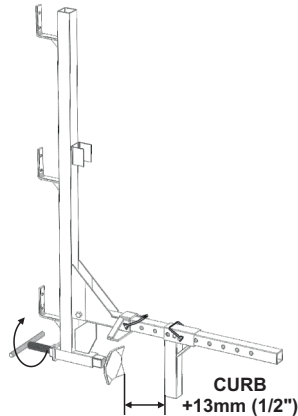
INSTALLATION

FOR MORE TECHNICAL INFORMATION CONTACT US AT: infotech@integrityworldwide.ca



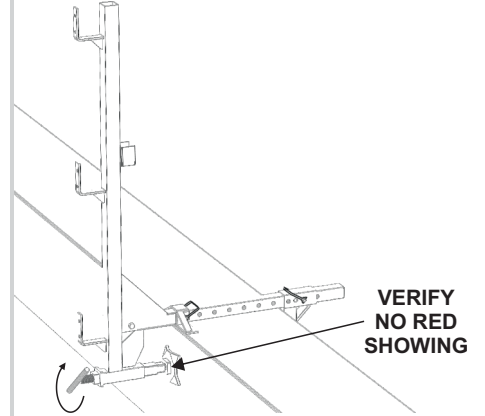
- Remove the spring locking pin from the storage position
 - Rotate the extension tube until it is fully open
 - Slide the stabilizer towards the vertical post into the locked position
 - Install the spring locking pin to secure the sliding stabilizer to the extension tube

1



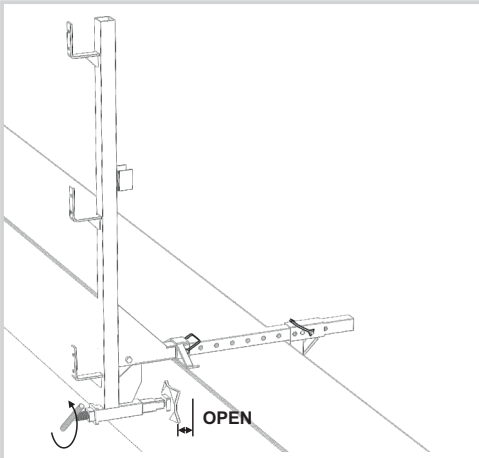
- Turn the adjustment handle counter-clockwise to the fully open position
 - Position the slider so that the distance between the slider and the jaw is approximately 13mm (1/2") greater than the thickness of the curb
 - Install the spring locking pin through the slider to the next closest hole on the extension tube

2



- Position the **Kerb Grab** at the desired location over top the curb (or wall)
 - While holding the **Kerb Grab** plumb, turn the adjustment handle clockwise until the jaw and slider are tight to the concrete
 - View the inspection gauge. In the event it is showing any red, turn the adjustment handle clockwise until the red is no longer visible.

3



- Remove **Safety Fence** and/or temporary guardrail from the **Kerb Grab**
- While securely holding the **Kerb Grab** with one hand, loosen the adjustment handle by turning it counter-clockwise until the jaw and slider are free from the concrete
- Remove the **Kerb Grab**

1

- Collapse the **Kerb Grab** to its folded (storage) position

2

NOTE:

Distributed by:



Kerb Grab
Instruction