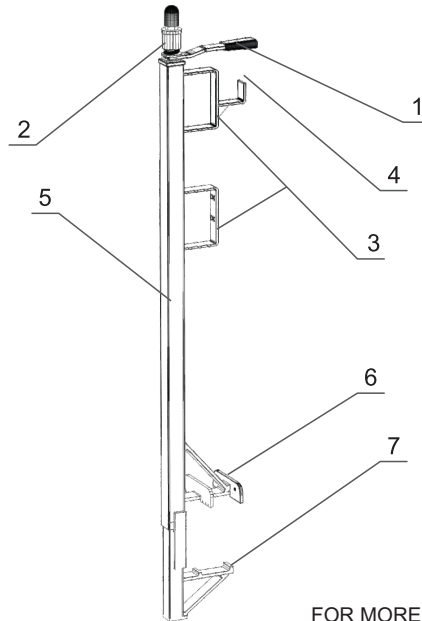


!!! REFER TO GENERAL NOTES FOR SAFETY INFORMATION !!!

PARTS

PART	DESCRIPTION
1	Adjustment Handle
2	Inspection Gauge
3	Timber Railing Holders
4	Safety Fence Holder
5	Vertical Post
6	Top Jaw
7	Bottom Jaw



Code:
SG4226

Weight:
14.5kg (32lb)

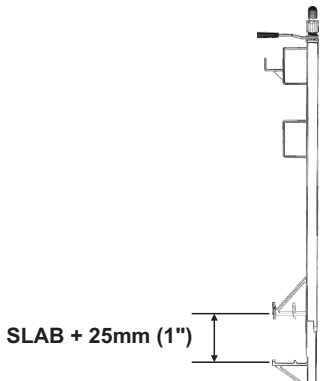
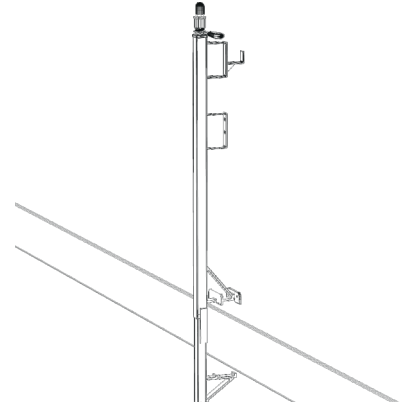
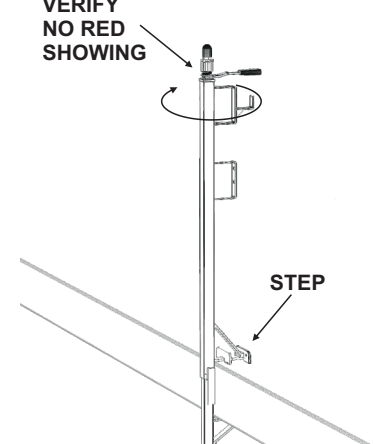
Slab Minimum:
76mm (3")

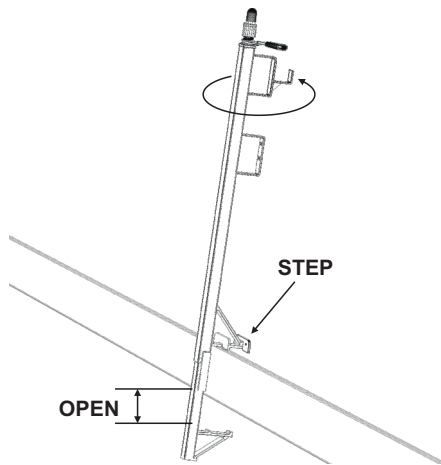
Slab Maximum:
660mm (26")

Maximum Spacing:
2743mm (108")

FOR MORE TECHNICAL INFORMATION CONTACT US AT:
infotech@integrityworldwide.ca

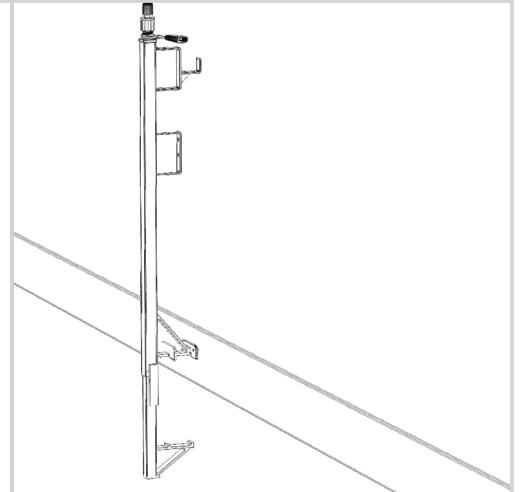
INSTALLATION

 <p>SLAB + 25mm (1")</p>		 <p>VERIFY NO RED SHOWING</p> <p>STEP</p>
<ul style="list-style-type: none"> Set the opening of the jaws of the Slab Grab to the thickness of the slab plus 25mm (1") Turning the adjustment handle counter-clockwise will open the jaws, clockwise will close them <p style="text-align: right; font-size: 2em;">1</p>	<ul style="list-style-type: none"> Position the Slab Grab with the top and bottom jaws around the slab edge and the vertical post flush against the slab <p style="text-align: right; font-size: 2em;">2</p>	<ul style="list-style-type: none"> Place one foot on the top jaw and while holding the Slab Grab plumb, wind the adjustment handle clockwise until the jaws are tight against the slab View the inspection gauge and in the event it is showing any red, wind the adjustment handle clockwise until the red is no longer visible <p style="text-align: right; font-size: 2em;">3</p>



- Remove **Safety Fence** and/or temporary guardrail from the **Slab Grab**
- Place one foot on the top jaw and while holding the **Slab Grab**, wind the adjustment handle counter-clockwise until the jaws loosen from the slab

1



- While securely holding the **Slab Grab** with both hands, pull it away from the slab edge

2

NOTE:

Distributed by:



Slab Grab Instruction