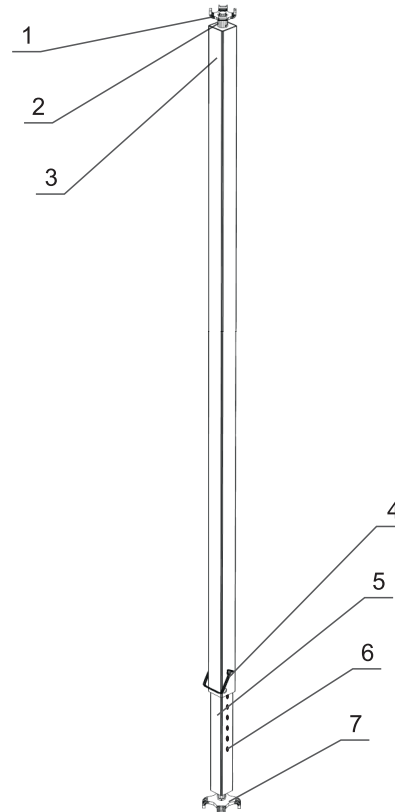


!!! REFER TO GENERAL NOTES FOR SAFETY INFORMATION !!!

PARTS

PART	DESCRIPTION
1	Head
2	Inspection Gauge
3	Outer Tube
4	Spring Lock Pin
5	Inner Tube
6	Adjustment Holes
7	Bottom Foot



Code:
KP

Weight:
12.7kg (28lb)

Closed Height:
2.5m (8'-2")

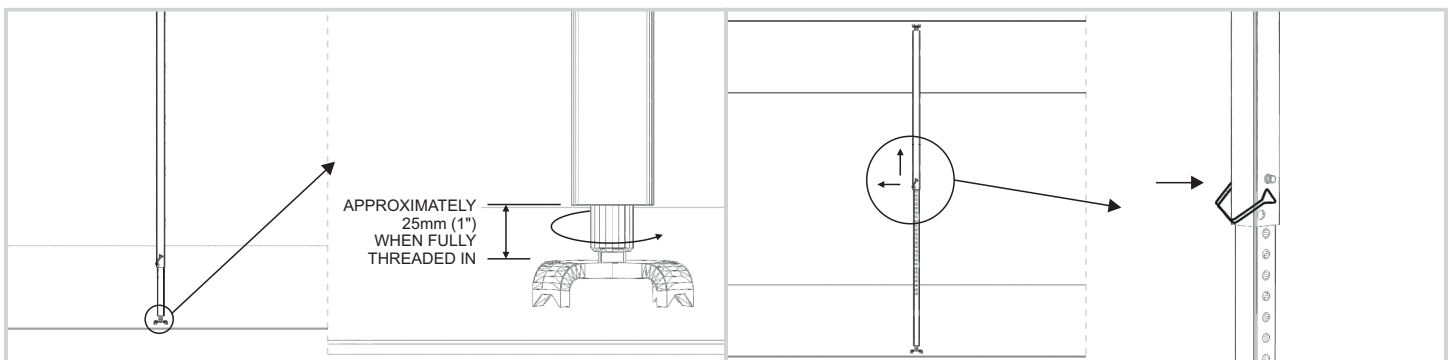
Maximum Height:
4.1m (13'-6")

Maximum Spacing:
2743mm (108")

FOR MORE TECHNICAL
INFORMATION CONTACT US AT:

infotech@integrityworldwide.ca

INSTALLATION



- Ensure bottom foot is fully screwed into the **Extension Post**
 - Place the **Extension Post** at a minimum 50mm (2") from the slab edge

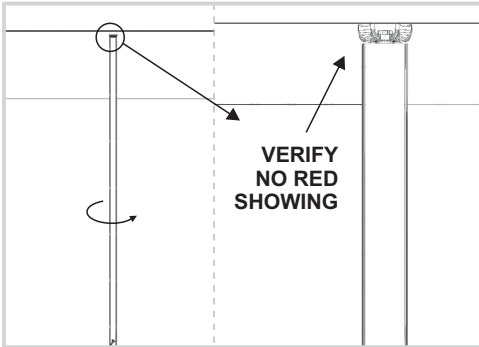
1

- Remove the spring lock pin
 - With the **Extension Post** at its desired location, extend the outer tube until the head comes in contact with the slab above
 - Install the spring lock pin where the closest holes of the outer tube and inner tube align
 - Ensure the **Extension Post** is plumb

2

INSTALLATION

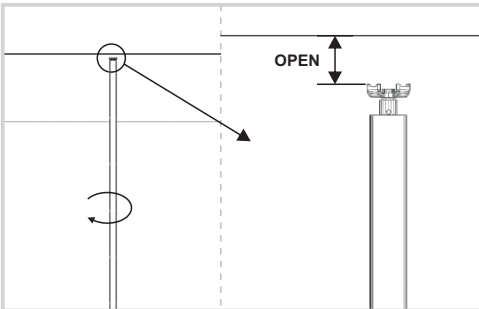
2



- Turn the body of the **Extension Post** counter clockwise until it is tight and no longer freely turns
- View the inspection gauge. In the event it is showing any red, continue turning the **Extension Post** counter clockwise until the red is no longer visible

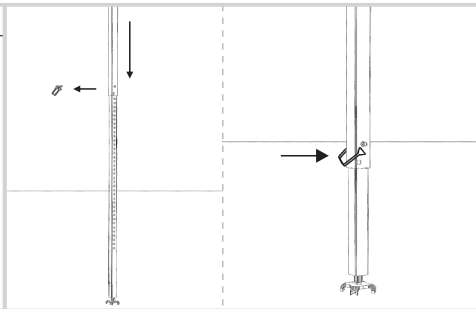
3

DISMANTLE



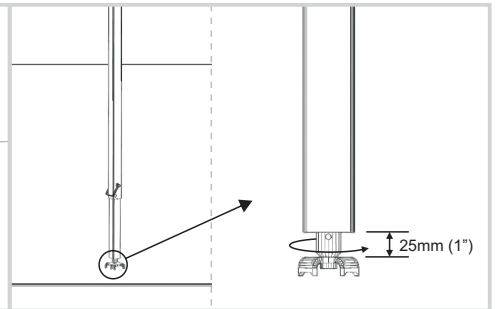
- Remove **Safety Fence** and/or temporary guardrail from the **Extension Post**
- Turn the body of the **Extension Post** clockwise until the head comes free from the underside of the slab

1



- Remove the spring lock pin and allow the outer tube to slide to the lowest position
- Install the spring lock pin where the lowest holes on the inner tube and the holes on the outer tube align

2



- Ensure bottom foot is fully screwed into the **Extension Post**

3

NOTE:

Distributed by:



Extension Post Instruction