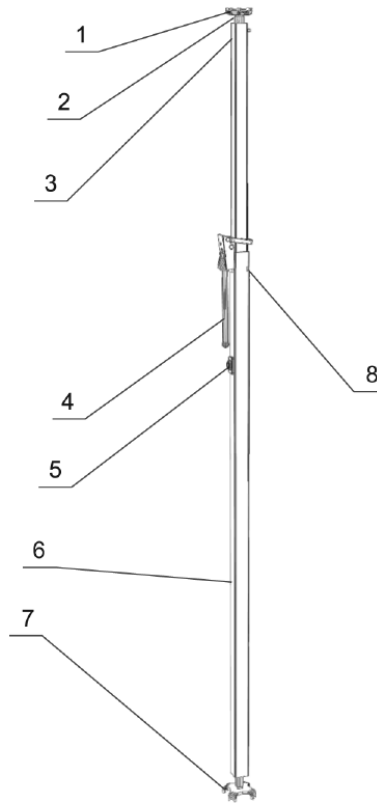


!!! REFER TO GENERAL NOTES FOR SAFETY INFORMATION !!!

PARTS

PART	DESCRIPTION
1	Head
2	Inspection Gauge
3	Inner Tube
4	Adjustment Handle
5	Safety Lock
6	Outer Tube
7	Bottom Foot
8	Thumb Hole
9	Lock Key



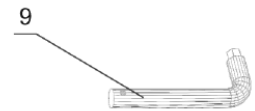
Code:
SPV

Weight:
10kg (22lb)

Closed Height:
1.95m (6'-6")

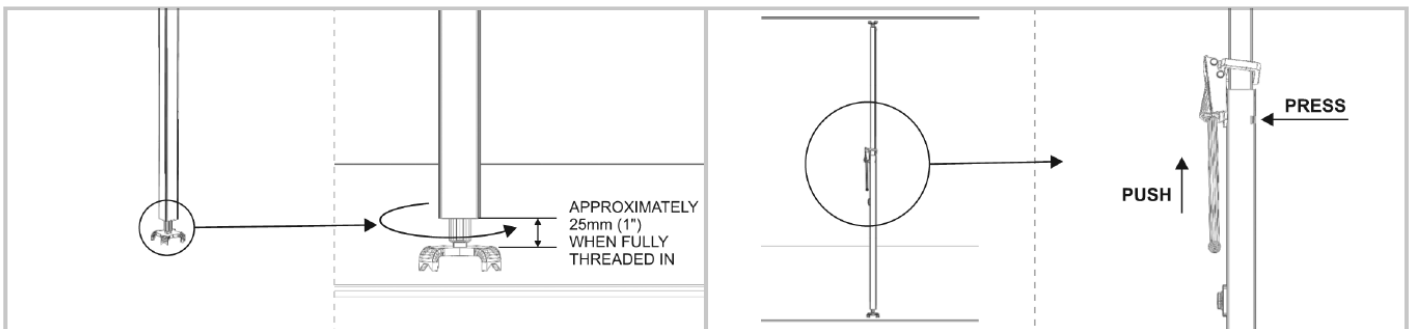
Maximum Height:
2.9m (9'-6")

Maximum Spacing:
2743mm (108")



INSTALLATION

FOR MORE TECHNICAL INFORMATION CONTACT US AT: infotech@integrityworldwide.ca

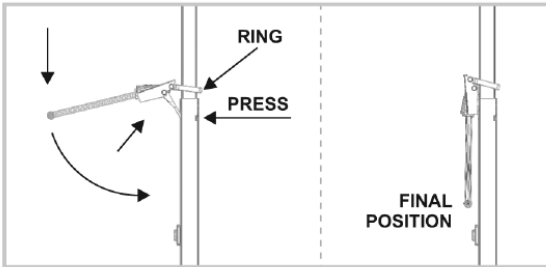


- Ensure bottom foot is fully screwed into the **Speed Post Velocity**
 - Place the **Speed Post Velocity** at a minimum 2" (50mm) from the slab edge

1

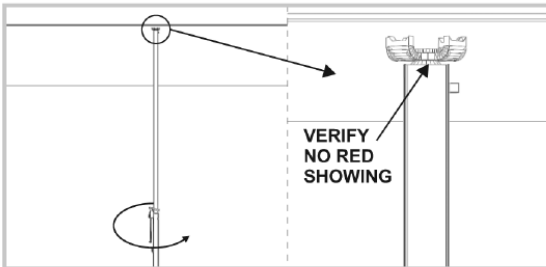
- With the **Speed Post Velocity** at its desired location and while firmly pressing your thumb through the thumb hole, extend the inner tube using adjustment handle until the head is firmly against slab above
 - Ensure the **Speed Post Velocity** is plumb

2



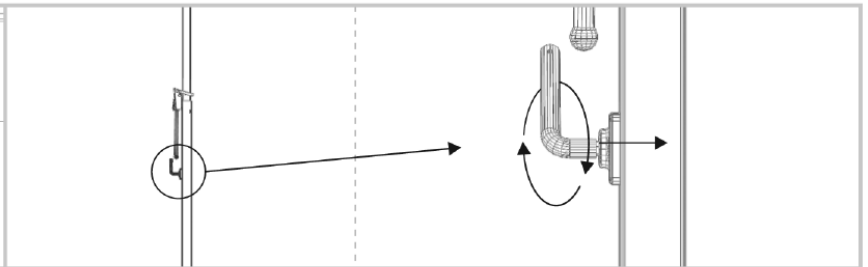
- Slide the adjustment handle down so the ring sits against the outer tube
- Open the adjustment handle and place the bottom end of the flap in the slotted area of the outer tube
- Close the adjustment handle by pulling down until it locks into a vertical position

3



- View the inspection gauge. In the event it is showing any red, turn the **Speed Post Velocity** counter clockwise until the red is no longer visible

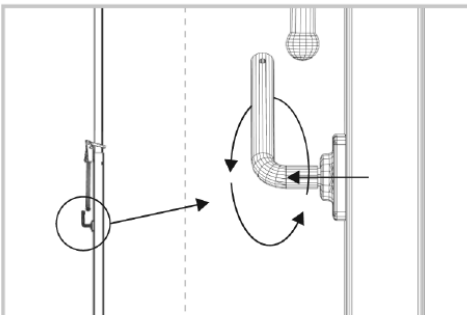
4



- Safety lock (if equipped) can be engaged by inserting the lock key and turning clockwise until the safety lock is tight
- **Speed Post Velocity** is ready to have **Safety Fence** and/or temporary guardrail attached

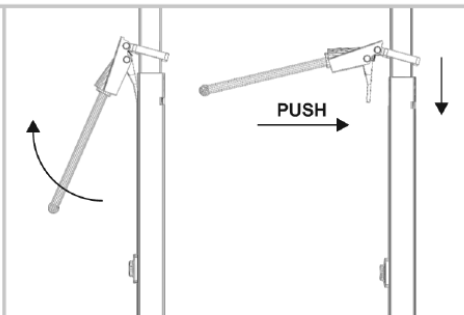
5

DISMANTLE



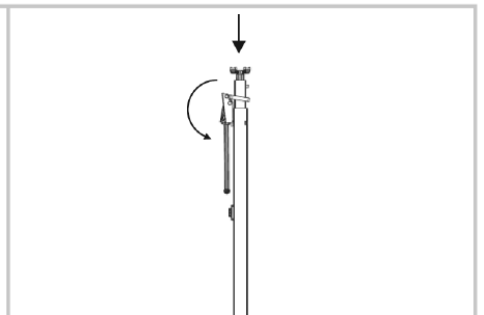
- Remove **Safety Fence** and/or temporary guardrail from the **Speed Post Velocity**
- Disengage the safety lock by inserting the lock key and turning it counter clockwise one and a half turns

1



- While holding **ONLY** the outer tube with one hand, open the adjustment handle completely and push it toward the inner tube
- Allow the inner tube to completely slide down into the outer post

2



- Place the bottom end of the flap on the adjustment handle in the slotted area of the outer tube
- Close the adjustment handle by pulling down until it locks into a vertical position

3

Distributed by:



Tel: (905) 660-5459
 info@dellcore.com | www.dellcore.com

Speed Post Velocity
 Instruction